

**FAMT15 Truck**

## FEATURES

### SAFE WORKING ENVIRONMENT

- ISO certified
- Spring brake, hydraulic release (POSI – STOP)
- Safe cab with spacious and ergonomically designed operator's compartment for maximum safety and minimal operation fatigue

### ENVIRONMENTAL

- Fuel efficient, cleaning burning Tier 2
- Air Cleaner: Two stage

### SERVICE ABILITY

- All daily check points easily reachable
- Quick and easy service to increase productivity
- Air, hydraulic and transmission filter change indicators
- Easy access to all lubrication points, filters and valve blocks.

### OPERATOR'S COMFORT

- Comfortable T-Back adjustable seat
- (Hydraulic) wheel steering and stick dump, lift controls, ergonomically placed
- Electrically controlled gear shift
- Cabin: Ergonomically designed layout with good vision of working face

### RELIABILITY

- Proven powertrain: DANA power shift transmission
- Machine status indication lights

### CAPACITIES

- High power – to – weight ratio provides speed on grades
- Optimal bin profile for lean and fast dumping

总部地址：山东省青岛市市南区燕儿岛路10号凯悦中心办公楼3803室 邮编：266071

Office Add: Room 3803, Capland Center, No.10, Yan'erdao Road, Qingdao, Shandong province, China. P.C.:266071

电话/Tel: +86(532)87900000 传真/Fax: +86(532)85777358

工厂地址：山东青岛市城阳区烟青路（正阳路南） 邮编：266109

Factory Add: Yanqing Road, Chengyang District, Qingdao, Shandong province, China. P.C.:266109

电话/Tel: +86(532)85784255 传真/Fax: +86(532)85784541

http://www.fambition.com mail:info@fambition.com

## SPECIFICATIONS

- Vehicle height: 2315 mm
- Vehicle length: 7325 mm
- Vehicle width: 2243 mm
- Ground clearance: 300 mm
- Inner turning radius: 3610 mm
- Outer turning radius: 6255 mm
- Center articulation: 40°
- Rear oscillation: 8°

## ENGINE

- Model: DEUTZ / F8L413FW
- Power: 136 kW @ 2300 rpm
- Torque: 665 Nm @ 1500 rpm
- Fuel consumption: 230 g/kWh
- Displacement: 12.7L / Tier II
- Air cleaner: Two stage
- Catalytic converter

## TRANSMISSION / TORQUE CONVERTER

- Three speed forward and reverse
- Torque converter: C373 / DANA
- Transmission: R32366 / DANA

## SPEED

- 1 gear: 4.9 km/h
- 2 gear: 9.9 km/h
- 3 gear: 19.5 km/h

## AXLE

- DANA axle: 16D2149
- Cooling system: available

## BRAKE

- Failsafe brake on all four wheels
- Type: Posi-stop

## TYRES

- SIZE: 17.5 x 25 – 20
- Designed for underground mine services
- Tread type

## ELECTRICAL SYSTEM

- System voltage: 24V
- Alternator: 28V / 55A
- Head light: LED 40W × 2
- Rear light: LED 40W × 2

## HYDRAULIC SYSTEM

- System pressure: 20MPa
- Pump: Gear pump/Parker
- Valve: working valve/Rexroth
- Hydraulic tank capacity: 230 L
- Filtration: suction strainer

## FUEL SYSTEM

- Fuel tank capacity: 180 L
- Primary fuel filter: 7 μ m

**CAPACITIES**

- Weight: 15000 kg
- Payload: 15 ton
- Bin volume: 7.5 m3

**SAFETY**

- Protection plate
- Fire extinguisher
- Reverse alarm
- Safety belt

**OPTIONAL EQUIPMENT**

- ANSUL fire suppression engine shut down
- Central lubrication system

**DOCUMENTS**

- Parts manual
- Operator Instruction
- Free Tools' List
- Free Parts' List
- Quality Certificate

---

**总部地址：山东省青岛市市南区燕儿岛路10号凯悦中心办公楼3803室 邮编：266071**

Office Add: Room 3803, Capland Center, No.10, Yan'erdao Road, Qingdao, Shandong province, China. P.C.:266071

**电话/Tel:+86(532)87900000 传真/Fax:+86(532)85777358**

**工厂地址：山东青岛市城阳区烟青路（正阳路南） 邮编：266109**

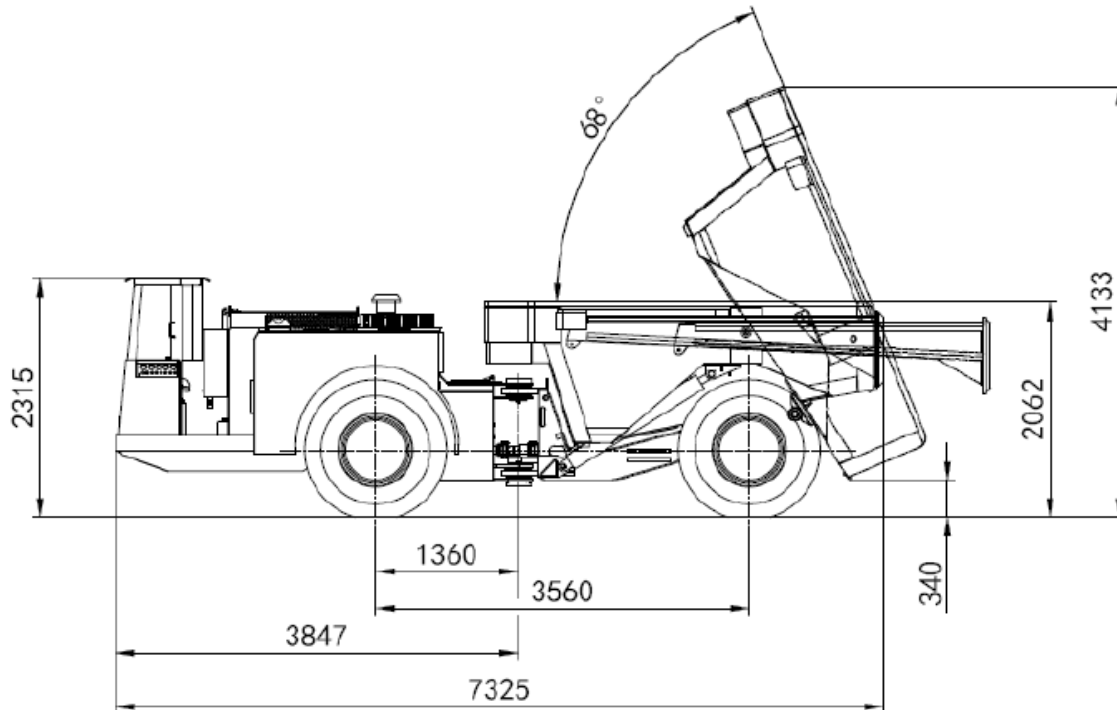
Factory Add: Yanqing Road, Chengyang District, Qingdao, Shandong province, China. P.C.:266109

**电话/Tel:+86(532)85784255 传真/Fax:+86(532)85784541**

**http://www.fambition.com mail:info@fambition.com**

**DIMENSION DRAWING**

- Side View



- Top View

